



### Riser Clamps

Product No.	Description	Clamps/Case	App. Case Weight (lbs.)
RCZ410-2	2" S.E. Riser Clamp	50	39.00
RCZ410-3	3" S.E. Riser Clamp	30	39.00
RCZ410-4	4" S.E. Riser Clamp	25	39.00
RCZ510-2	2" L.E. Riser Clamp	30	39.00
RCZ510-3	3" L.E. Riser Clamp	20	39.00
RCZ510-4	4" L.E. Riser Clamp	18	39.00

S.E. – Short Ear  
L.E. – Long Ear



### J-Hangars

Product No.	Description	Hangars/Case	App. Case Weight (lbs.)
JH369100	1" J-Hanger	180	39.00
JH369110	1-1/4" J-Hanger	160	39.00
JH369115	1-1/2" J-Hanger	160	39.00
JH369200	2" J-Hanger	140	39.00
JH369300	3" J-Hanger	40	39.00
JH369400	4" J-Hanger	30	39.00



### Angle Brackets

Product No.	Description	Brackets/Case	App. Case Weight (lbs.)
AB38EG	3/8" Angle Bracket	127	39.00



### Channel Nuts

Product No.	Description	Nuts/Case	App. Case Weight (lbs.)
CN38EG	3/8" Channel Nut	480	39.00

Available in case quantity only



### Channel Clamps



Product No.	Description	Clamps/Case	App. Case Weight (lbs.)
CC12	1-1/2" Standard Channel Clamp	120	36.00
CC13	2-3/8" O.D. Channel Clamp	100	35.00
CC26	5/8" O.D. Channel Clamp	360	35.00
CC27	3/4" O.D. Channel Clamp	360	38.00
CC28	7/8" O.D. Channel Clamp	300	35.00
CC30	1-1/8" O.D. Channel Clamp	240	37.00
CC32	1-3/8" O.D. Channel Clamp	200	36.00
CC33	1-1/2" O.D. Channel Clamp	180	35.00
CC34	1-5/8" O.D. Channel Clamp	180	36.00
CC38	2-1/8" O.D. Channel Clamp	100	34.00
CC48	3-3/8" O.D. Channel Clamp	80	37.00
CC56	4-3/8" O.D. Channel Clamp	50	35.00



### Pipe Straps

Product No.	Description	Straps/Case	App. Case Weight (lbs.)
PS300G	3" Pipe Strap	72	24.00
PS400G	4" Pipe Strap	72	29.00



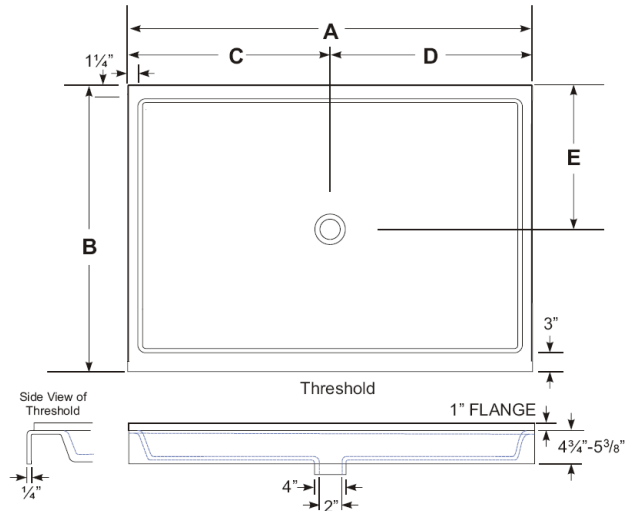
### Sway Braces

Product No.	Description	Braces/Case	App. Case Weight (lbs.)
QSB4	4" Quick-Clamp Sway Brace	40	45.00
QSB5	5" Quick-Clamp Sway Brace	40	52.00

### Hanger Support Insert

Product No.	Description	Braces/Case	App. Case Weight (lbs.)
HS125	Hanger Support Insert	100	44.00

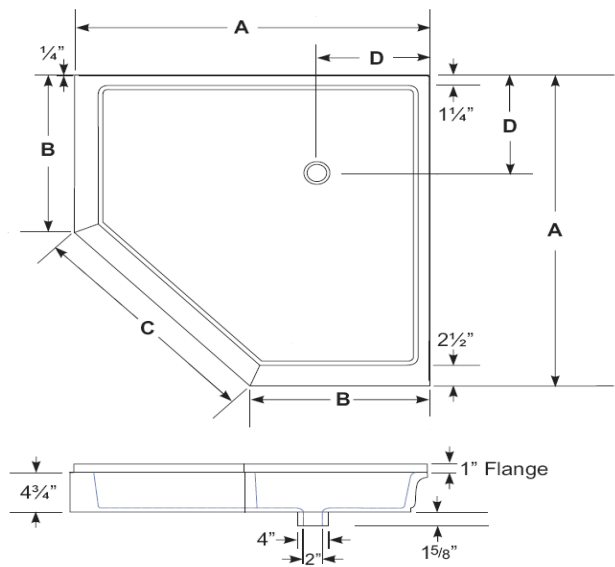
Available in case quantity only



**Acrylic Shower Pan**

Product No.	Size	Type	A	B	C	D	E	App. Wt. (lbs)
SP3232-1A	32" x 32"	Recess	32"	32"	16"	16"	16"	40.00
SP3434-1A	34" x 34"	Recess	34"	34"	17"	17"	17"	45.00
SP3636-2A	36" x 36"	Corner	36"	36"	18"	18"	18"	50.00
SP4242-1A	42" x 42"	Recess	42"	42"	21"	21"	21"	63.00

\* includes UPC Approved Drain



**Neo Angle Acrylic Shower Pan**

Product No.	Size	A	B	C	D	App. Wt. (lbs.)
SP3838-1A	38" x 38"	38"	20"	25"	12"	48.00

\* includes UPC Approved Drain



### Wall Hung Lavatory

<b>Product No.</b>	1917 LAV
<b>Size</b>	19" x 17"
<b>Hole Position</b>	4" Center
<b>Color</b>	American White
<b>Type</b>	Wall Hung
<b>Material</b>	Vitreous China
<b>App. Weight (lbs.)</b>	26.50

